

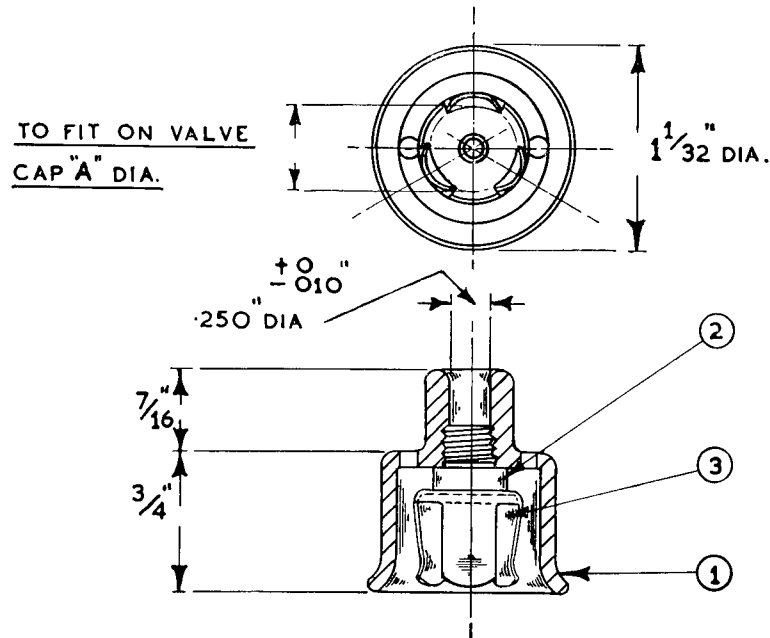
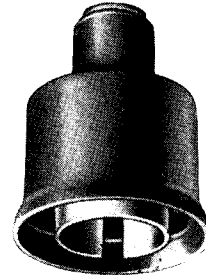
# EDDYSTONE RADIO

DATA SHEET  
No. **D.S.102**  
(MAY, 1955)

## INSULATED VALVE CONNECTORS

Cat. Nos. 562 : 563 : 891

Designed for use with high voltage rectifying and output valves. The metal part is completely enclosed in a red bakelite shroud. Cable lead passes through the top and the wire is then soldered to the clip.



ITEM No.	DESCRIPTION.	MATERIAL.	FINISH.
1	COWL.	BAKELITE X4994 RED.	NATURAL.
2	BOSS.	BRASS.	NATURAL.
3	CONNECTOR.	BRASS.	BARREL NICKEL.

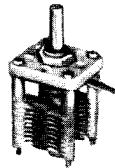
CAT. No.	DIMENSION. A.	WEIGHT.
891	1/4" DIA.	.28 OZS.
562	9mm DIA	.29 OZS.
563	9/16" DIA	.32 OZS.

J357 Printed in England

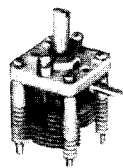
**STRATTON & CO., LTD.**  
EDDYSTONE WORKS : BIRMINGHAM 31 : ENGLAND  
TELEPHONE: PRIORY 2231-4 TELEGRAMS: STRATNOID, BIRMINGHAM

## MINIATURE VARIABLE CAPACITORS

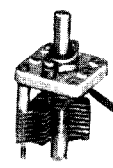
Cat. Nos. 551 : 552 : 553 : 884



551



552



553

### GENERAL DESCRIPTION

Where space is restricted or where physically small components are advantageous — e.g. in VHF equipment — these specially developed miniature capacitors will prove most useful. They are of robust construction and well able to stand up to continuous operation.

Mounting is effected with two 8 BA screws and spacing pillars through the endplate, at  $\frac{9}{16}$ " centres symmetrical about the centre line of the endplate. Parts for the purpose are supplied.

- Endplate : Single Frequentite ceramic  $\frac{3}{4}$ " square,  $\frac{1}{8}$ " thick.
- Vanes : Brass .015" thick, soldered to supports.
- Bush : Brass, with beryllium-copper thrust washer.
- Spindle : .156" diameter, slotted both ends.
- Finish : Heavy silver plate.

These capacitors are QUALITY APPROVED to R.C.S. 141, Issue 2, Humidity Class H1, Temperature Category 40/100. R.C.S.C. Ref. No. 1022/1 (1660).

J1260 Printed in England

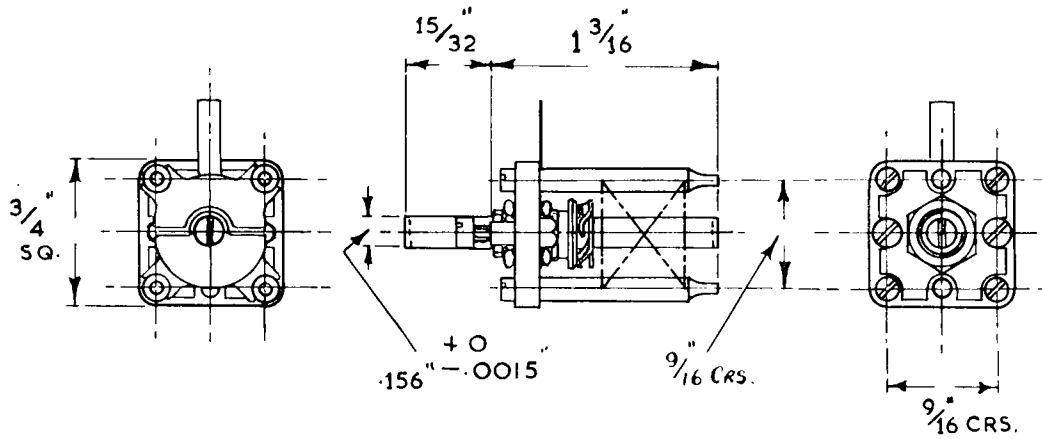
## STRATTON & CO., LTD.

EDDYSTONE WORKS : BIRMINGHAM 31 : ENGLAND  
TELEPHONE : PRIORY 2231-4 TELEGRAMS : STRATNOID, BIRMINGHAM

# EDDYSTONE

## MINIATURE VARIABLE CAPACITORS

### TECHNICAL DETAILS

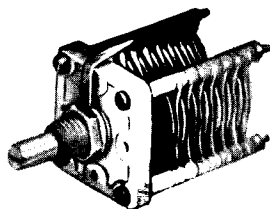


CAT. No.	TYPE	CAPACITANCE (pF)		PROOF VOLTAGE	AIR GAP (INS.)	No. OF VANES		NET WEIGHT (OZS.)	
		MIN.	MAX.			ROTOR	STATOR		
551	BUTTERFLY	PER SECTION	4.5	28.5	500	.01	10	9	.792
		SERIES GAP	2.8	14.5			—	—	
552	180 SPLIT STATOR	PER SECTION	3.5	21.5	500	.01	4	4	.739
		SERIES GAP	2.0	11.5			—	—	
553	SINGLE SECTION	3.5	54	500	.01	10	9	.676	
884	DIFFERENTIAL	4	50	500	.01	10	9 PER SECTION	.856	

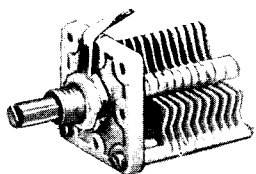
NOTES. Proof Voltage is R.M.S. at 50 cycles for one minute. The highest minimum and lowest maximum values of capacitance are given.



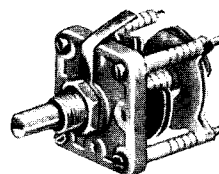
## CERAMIC MICRODENSERS



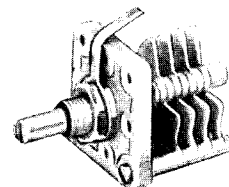
587



589



476



580

### *BUTTERFLY.*

The information given here applies to a comprehensive range of small variable capacitors, well designed electrically and mechanically, and able to stand up to continuous usage under all reasonable conditions.

Single-section, split-stator, butterfly and differential capacitors are available. The law is substantially straight line capacitance.

All metal parts are silver-plated. The stator lugs and the stout earthing tag accept solder readily and sound connections are assured. All types are for  $\frac{3}{8}$ " diameter single hole fixing.

Endplate : Single ceramic,  $1\frac{5}{16}$ " square by  $\frac{3}{16}$ " thick.

Vanes : Brass .022" thick, soldered to their supports.

Bush : Brass  $\frac{3}{8}$ " diameter, with beryllium copper or phosphor bronze thrust washer.

Spindle :  $\frac{1}{4}$ " diameter, brass, with screwdriver slot.

Finish : Heavy silver -plate.

These capacitors are QUALITY APPROVED to R.C.S. 141, Issue 2, Humidity Class H1, Temperature Category 40/100. R.C.S.C. Ref. No. 1038/2 (1660).

J1260 Printed in England

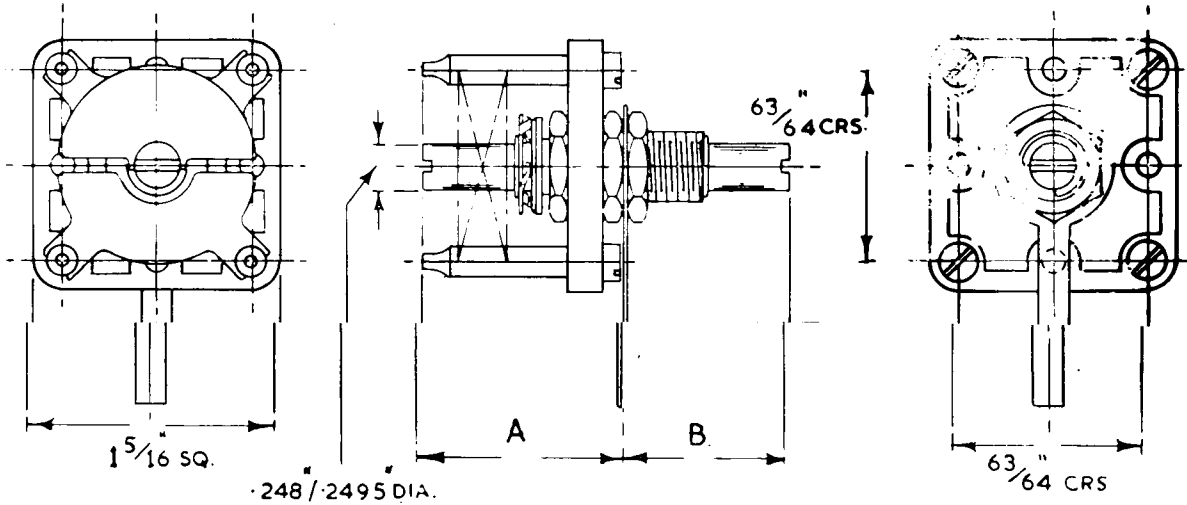
## STRATTON & CO., LTD.

EDDYSTONE WORKS : BIRMINGHAM 31 : ENGLAND  
TELEPHONE : PRIORY 2231-4 TELEGRAMS : STRATNOID, BIRMINGHAM

# EDDYSTONE

## CERAMIC MICRODENSERS

### TECHNICAL DETAILS



CAT. No.	TYPE	CAPACITANCE (pF)		PROOF VOLTAGE	AIR GAP (INS.)	No. OF VANES		NET WEIGHT (OZS.)	DIMENSIONS (INS.)	
		MIN.	MAX.			ROTOR	STATOR		A	B
476	180 SPLIT STATOR	PER SECTION 3-25 SERIES GAP 2		900 1,750	.020	2 PER SECTION	2 PER SECTION	2.10	1 7/16"	1 1/8"
580	SINGLE SECTION	4	24	2,300	.062	4	4	1.94	1 7/16"	1 1/8"
582	SINGLE SECTION	4	63	950	.020	8	7	2.29	1 7/16"	1 1/8"
583	180 SPLIT STATOR	PER SECTION 4 SERIES GAP 3		820 1,600	.020	3 PER SECTION	3 PER SECTION	2.43	1 7/16"	1 1/8"
584	BUTTERFLY	PER SECTION 7 SERIES GAP 4		970 1,740	.020	8	7 PER SECTION	2.50	1 7/16"	1 1/8"
585	SINGLE SECTION	4.5	91	780	.015	11	10	2.28	1 9/16"	1 1/8"
586	SINGLE SECTION	5	140	600	.015	16	15	3.05	1 11/16"	1 1/8"
587	BUTTERFLY	6	16	1,740 3,300	.052	8	7 PER SECTION	2.78	1 11/16"	7/8"
588	SINGLE SECTION	5	27.5	1,850	.052	8	7	2.38	1 11/16"	1 1/8"
589	SINGLE SECTION	5	60	1,000	.030	11	10	2.62	1 8/8"	1 1/8"
719	DIFFERENTIAL	3-25	26	950	.020	4	3 PER SECTION	2.10	1 1/16"	7/8"
739	BUTTERFLY	PER SECTION 4-25 SERIES GAP —		10 — 2,000 3,700	.052	5	4 PER SECTION	2.27	1 9/16"	1 1/8"

NOTES. Proof Voltage is R.M.S. at 50 cycles for one minute. The highest minimum and lowest maximum values of capacitance are given.



# EDDYSTONE RADIO

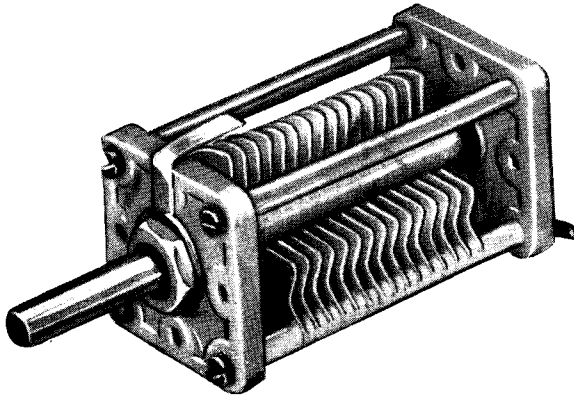
DATA SHEET

No. D. S. 106

(DECEMBER, 1960)

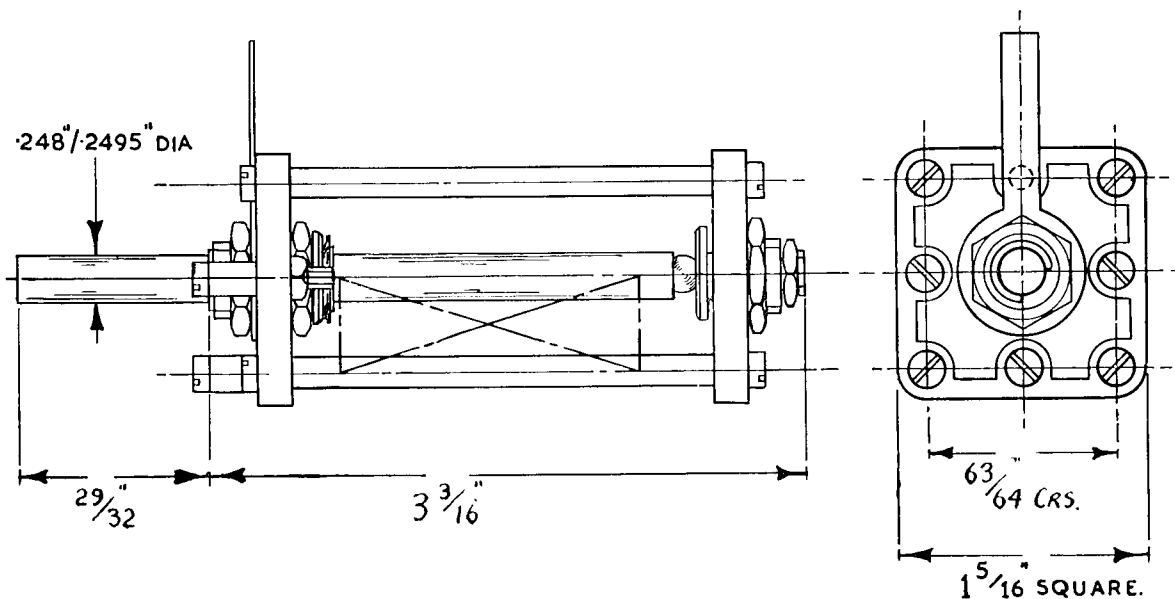
## VARIABLE CAPACITOR

Cat. No. 738



Double end plates and bearings, for high stability applications, particularly in oscillator circuits. Single section type. Provision is made for three hole fixing to front end plate. Fixing screws and spacers are supplied.

QUALITY APPROVED to R.C.S. 141, Issue 2, Humidity Class H1, Temperature Category 40/100 R.C.S.C. Ref. No. 1038/2 (1660).



Capacity : Max. 93  $\mu$ F. : Min. 8  $\mu$ F.  
Air Gap : .03".  
Proof Voltage: 1200 (RMS 50 cycles, for 1 minute).  
No. of Vanes : Rotor 16 : Stator 15.  
Vanes : .022" thick.  
Law : S L C .  
Net Weight : 4.75 ozs.

Insulation is Frequen-tite ceramic  $\frac{3}{16}$ " thick. All metal parts are brass and the vanes are soldered to their supporting bars. Finish is heavy matt silver plate.

J1260

Printed in England

## STRATTON & CO., LTD.

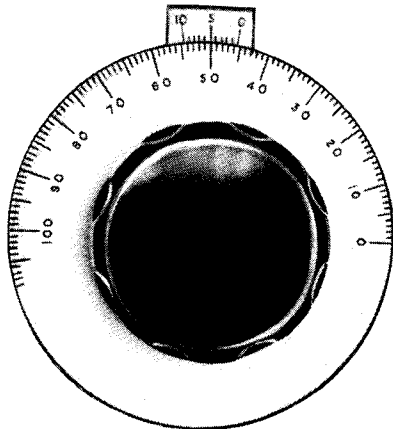
EDDYSTONE WORKS : BIRMINGHAM 31 : ENGLAND  
TELEPHONE: PRIORY 2231-4 TELEGRAMS: STRATNOID, BIRMINGHAM

# EDDYSTONE RADIO

DATA SHEET  
No. **D.S.110**  
(MAY, 1955)

## VERNIER SLOW MOTION DIAL

Cat. No. 843



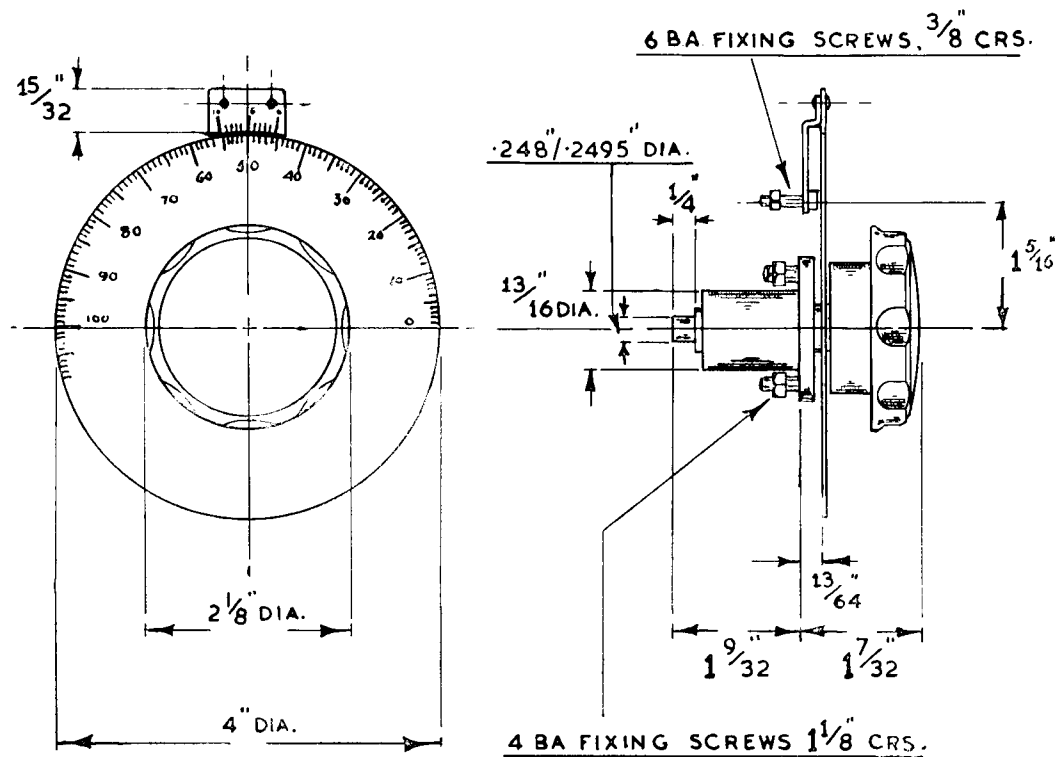
Dial Plate : Hard aluminium, anodised satin finish.

Scale : Marked in black, 100 divisions over 180°.

Vernier Strip: Enables readings to be taken to one tenth of a division.

Driving head: Ball bearing, epicyclic, totally enclosed.

Ratio : Approx. 10 to 1.



*N.B. Projection behind bush is  $1\frac{7}{32}$ " not  $1\frac{9}{32}$ " as shown.*

J357 Printed in England

## STRATTON & CO., LTD.

EDDYSTONE WORKS : BIRMINGHAM 31 : ENGLAND  
TELEPHONE : PRIORY 2231-4 TELEGRAMS : STRATNOID, BIRMINGHAM

# EDDYSTONE RADIO

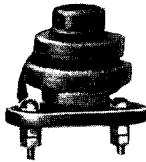
DATA SHEET

No. **D.S.117**

(MAY, 1955)

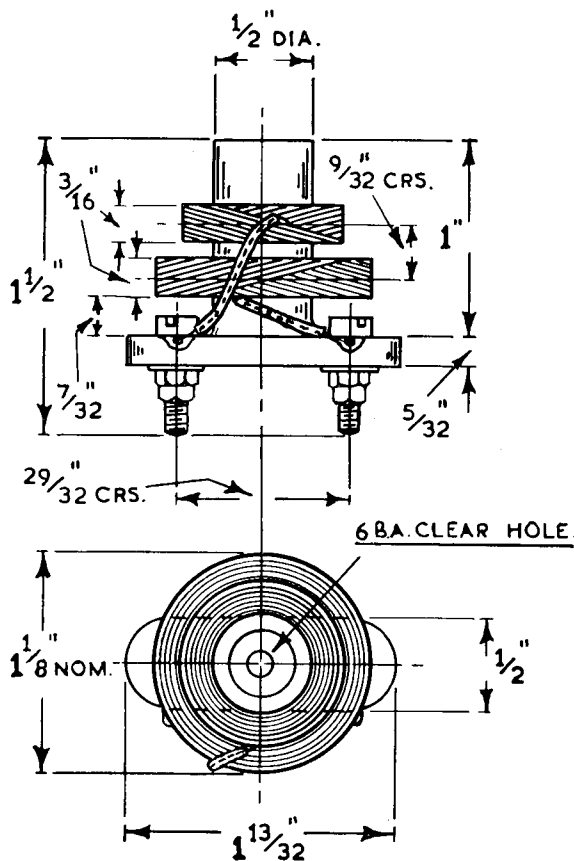
## R. F. CHOKE

Cat. No. 1066



1066

A general purpose radio frequency choke, having a comparatively high inductance and useful on the lower frequencies.



Winding : Two honeycomb sections of 38 gauge double rayon covered copper wire.

Rating :— 50 mA. max.

Inductance :— 13 mH.  
(tolerance  $\pm 6\%$ )

D.C. Resistance :— 60ohms.  
(approx.)

Finish :— Wax dipped

Weight :— .77 oz.

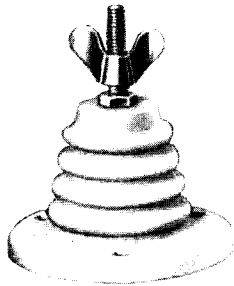
J357 Printed in England

## STRATTON & CO., LTD.

EDDYSTONE WORKS : BIRMINGHAM 31 : ENGLAND  
TELEPHONE: PRIORY 2231-4 TELEGRAMS: STRATNOID, BIRMINGHAM

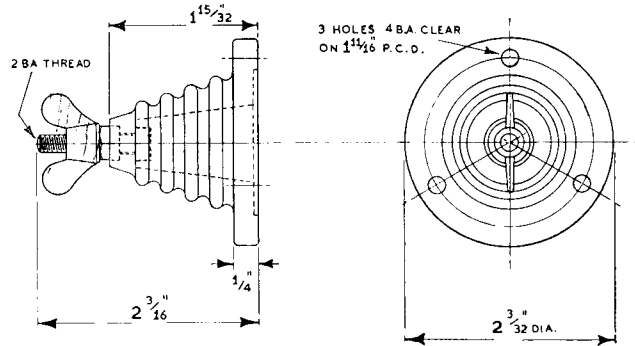


## INSULATORS



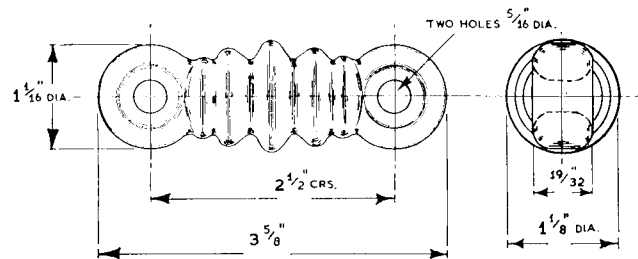
**Cat. No. 916**

Vitreous porcelain stand-off insulator, glazed externally except for underside of base. Maximum working voltage 8500 r.m.s. Supplied complete with lead washer, nickel-plated wing nut, and electro-tinned 2BA screw, nut and washer. Weight 2.4 ozs.



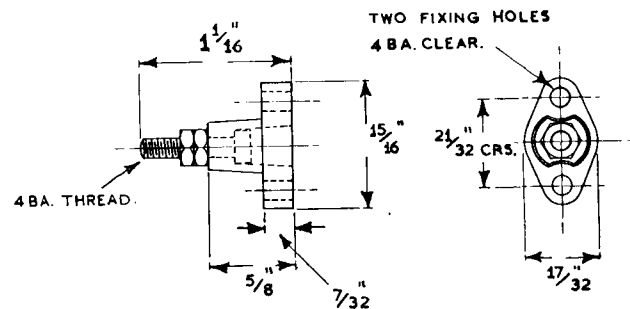
**Cat. No. 966**

Aerial strain insulator, of Pyrex glass, with natural finish. Flashover voltage approximately 22 kilovolts wet, 36 kilovolts dry. Weight 2 1/2 ozs.



**Cat. No. 1019**

Small stand-off insulator, of glazed frequentite, with electro-tinned brass 4BA screw and lock nuts. Working voltage 4000 r.m.s. 50 cycles. Weight 0.23 ozs.



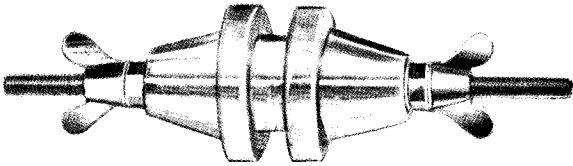
J357 Printed in England

## STRATTON & CO., LTD.

EDDYSTONE WORKS : BIRMINGHAM 31 : ENGLAND  
TELEPHONE: PRIORY 2231-4 TELEGRAMS: STRATNOID, BIRMINGHAM

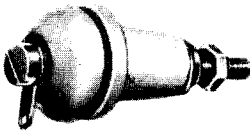
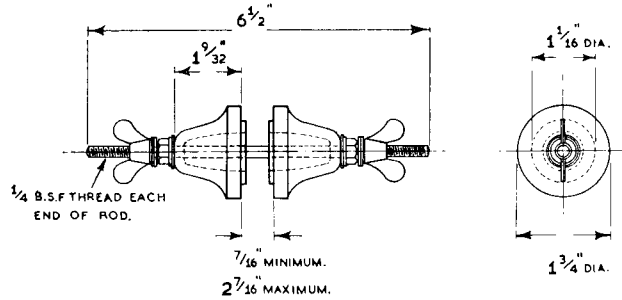
# EDDYSTONE

## LEAD-THROUGH INSULATORS



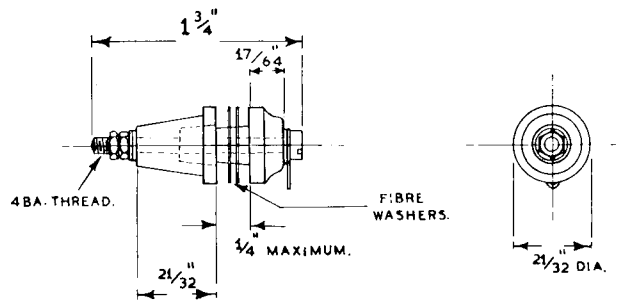
Cat. No. 794

Two borosilicate heat-resisting glass cones fit freely on to a plated brass rod,  $\frac{1}{4}$ " diameter,  $6\frac{1}{2}$ " long. The hollow cones are spigotted at the base to mount into a  $1\frac{1}{8}$ " diameter hole, and wall thicknesses between  $\frac{7}{16}$ " and  $2\frac{7}{16}$ " can be accommodated. Wing nuts and washers are fitted at the ends of the rod. Flashover voltage greater than 10 kilovolts. Weight  $6\frac{1}{2}$  ozs.



Cat. No. 695

The two insulator portions are of Frequelex, glazed on the outer surfaces. Metal parts are electro-tinned brass and two fibre washers are supplied. Working voltage 4000 r.m.s. Weight 0.42 ozs.



## EQUIPMENT CABINET AND RACK

Cat. No. 873

Cat. No. 874

Two major items — the rack assembly and the cabinet assembly — together make up into a modern type of rack equipment which has numerous applications. Mild steel is used throughout. All parts are rust-proofed and, with the exception of the chassis (which is plated), are finished plain grey stove enamel.

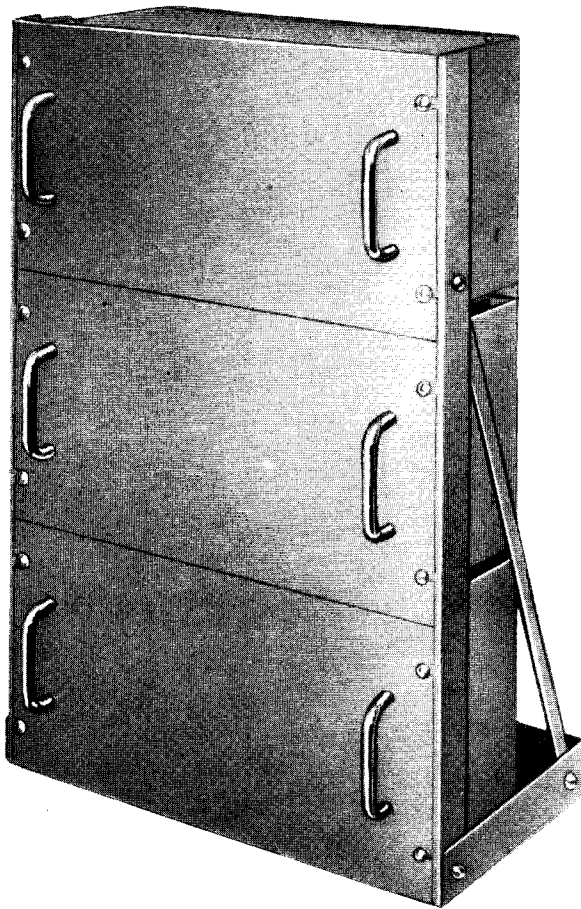
Details are as follows :

**Three-way Equipment Rack Cat. No. 874** comprises two vertical channels, one bottom frame, and two tie bars. It is supplied unassembled, with the necessary nuts and screws. The dimensions are, height  $22\frac{9}{16}$ " ; width  $14\frac{3}{4}$ " ; depth  $8\frac{1}{16}$ ". The vertical channels are drilled to take three cabinets Cat No. 873, whilst the bottom frame is provided with four holes for bolting down if necessary.

**Rack Mounting Cabinet Cat. No. 873** consists of the following items, supplied unassembled :

- 1 Panel (Cat. No. 861) 14" wide by  $7\frac{1}{2}$ " high.
- 1 Chassis (Cat. No. 862) 12" long,  $5\frac{5}{8}$ " wide, 2" deep, plus flange  $\frac{3}{8}$ ".
- 2 End Plates.
- 1 Back Plate.
- 2 Cover Plates.
- 1 pair Handles (Cat. No. 635).

The panel has two  $\frac{9}{32}$ " diameter holes on each side for fixing to the Cat. No. 862 Chassis with the Cat. No. 635 plated handles and there are two further slotted holes on each side for rack mounting. Both chassis and panel are made of .048" mild steel. The complete cabinet assembly measures 14" wide,  $7\frac{1}{2}$ " high,  $6\frac{1}{8}$ " deep. Spare panels and chassis can be supplied as separate items (see above). Weight assembled  $29\frac{1}{2}$  lbs.



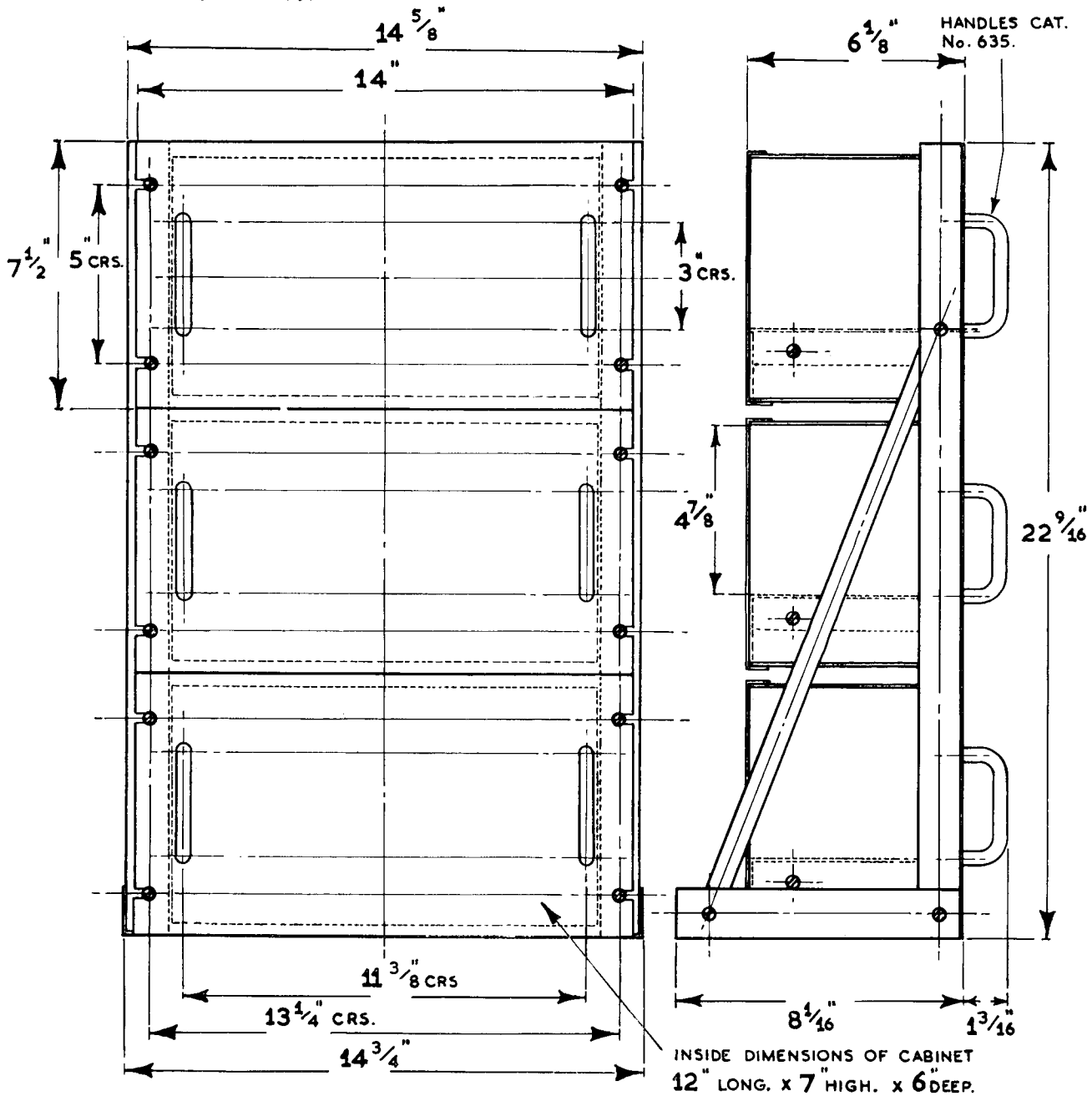
J357 Printed in England

## STRATTON & CO., LTD.

EDDYSTONE WORKS : BIRMINGHAM 31 : ENGLAND  
TELEPHONE : PRIORY 2231-4 TELEGRAMS : STRATNOID, BIRMINGHAM

# EDDYSTONE

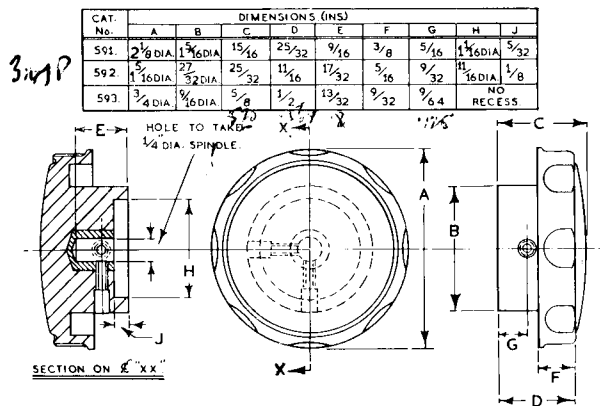
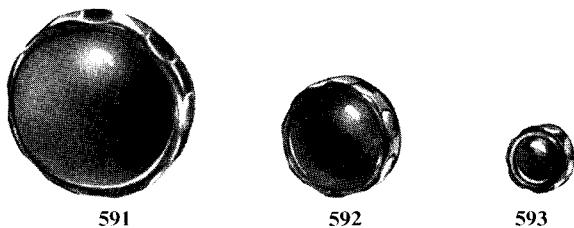
EQUIPMENT CABINET CAT. No. 873 & RACK CAT. No. 874.



# EDDYSTONE RADIO

DATA SHEET  
No. D.S. 121  
(DECEMBER, 1955)

## INSTRUMENT KNOBS

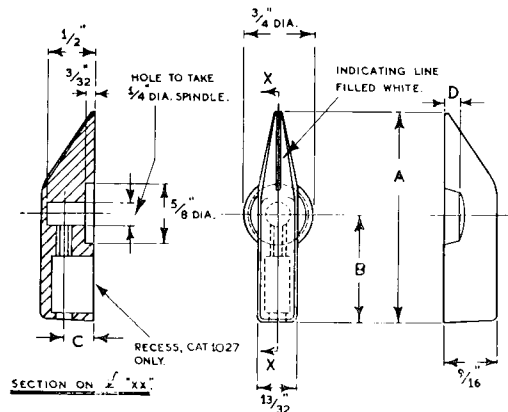


Cat. Nos. 591, 592, 593

Highly polished black bakelite knobs, with brass inserts. Cat. No. 591 is fitted with two 4BA grub screws. Cat. No. 592 and 593 have a single grub screw. Weights are 1.52 ozs., .61 ozs. and .31 ozs. respectively.



CAT. No.	DIMENSIONS (INS.)			
	A	B	C	D
1027	2 7/32	1 1/8	5/16	5/32
841	1 1/4	5/8	9/32	1/8



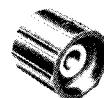
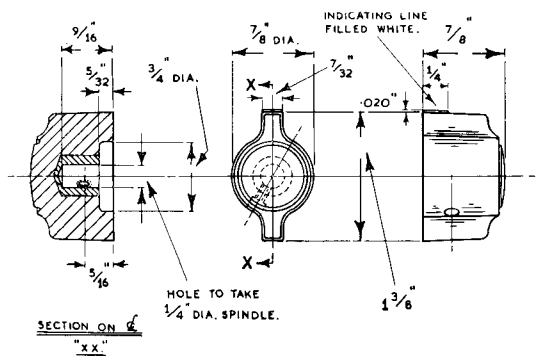
Cat. Nos. 1027 and 841

Smooth polished black bakelite pointer knobs, with white indicator line. Cat. No. 1027 has a recess to cover the panel nut and has a 4BA grub screw. Cat. No. 841 is fixed with a 6BA screw locking into a trapped 6BA nut. Weights are .23 ozs. and .18 ozs. respectively.



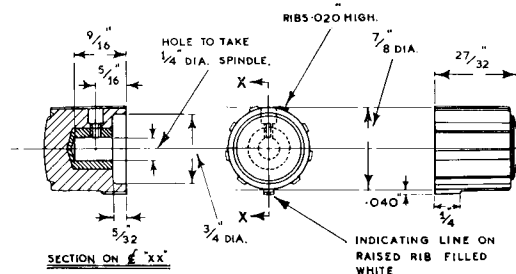
Cat. No. 877

Polished black bakelite wing knob, with two ribs, providing a firm grip. White indicator line on one rib. Brass insert: one 4BA grub screw. Weight is .61 ozs.



Cat. No. 895

Long knob of polished black bakelite, ribbed and with indicating line along one rib. Brass insert and one 4BA grub screw. Recess to cover panel nut. Weight is .53 ozs.

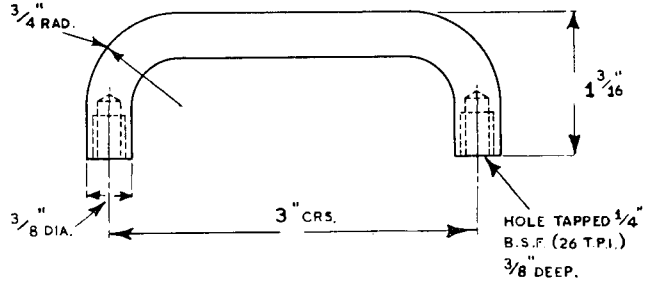
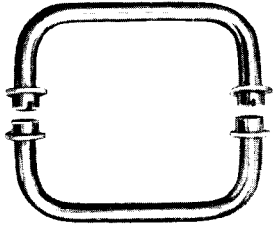


J357 Printed in England

## STRATTON & CO., LTD.

EDDYSTONE WORKS : BIRMINGHAM 31 : ENGLAND  
TELEPHONE: PRIORY 2231-4 TELEGRAMS: STRATNOID, BIRMINGHAM

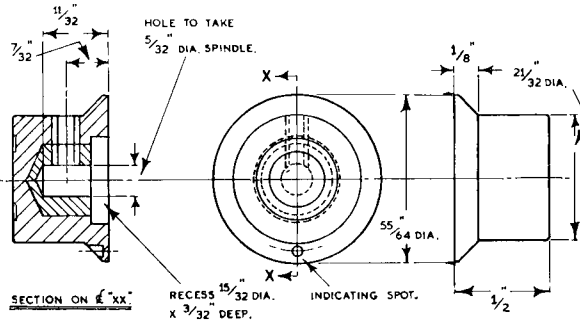
## INSTRUMENT HANDLE



**Cat. No. 635**

Polished chromium plated brass handle for fitting to equipment cabinets and cases. Supplied in pairs complete with  $\frac{1}{4}$ " BSF. fixing screws.

## SKIRT KNOB



**Cat. No. 878**

Polished black bakelite knob;  $\frac{7}{8}$ " overall diameter; brass insert which accepts spindle  $\frac{5}{32}$ " diameter. One 4BA grub screw. Fits spindle of Cat. Nos. 551, 552, 553 and 884 miniature variable condensers (see Data Sheet No. 104).



# EDDYSTONE RADIO

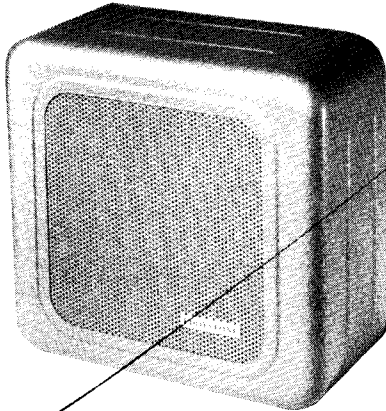
DATA SHEET

No. D. S. 123

(JULY, 1961)

## LOUDSPEAKER

Cat. No. 899



An efficient loudspeaker unit for use in any communications installation. The '899' is strongly made and attractively finished to match the appearance of modern equipment.

The case is made from rustproofed steel .032" thick with overall dimensions as follows :

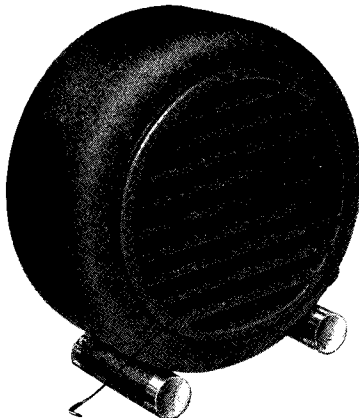
Width ..  $7\frac{5}{16}$ " (18.6 cm.)                      Height ..  $6\frac{5}{16}$ " (16 cm.)  
Depth ..  $3\frac{7}{16}$ " ( 8.7 cm.)

The weight of the unit is 2 lbs. 8 ozs. (1.13 kg.) and four polythene mounting feet prevent marking of the surface on which the speaker is placed. The rear cover is removable and is secured by means of four 4BA screws.

The loudspeaker is a high flux permanent magnet type 5" in diameter and has an impedance of 2.5-3 ohms. A connecting lead approximately 4' long is provided and the unit is finished in oyster grey hammer.

## DIECAST LOUDSPEAKER

Cat. No. 688 series



This extremely popular unit is available in a range of four colours (with polished chromium plated feet) to match the various receivers in the EDDYSTONE range. The case is a substantial diecasting of aluminium alloy and the absence of case resonance makes for excellent quality of reproduction.

Overall diameter is 7" (17.8 cm.) and depth  $3\frac{5}{8}$ " (9.2 cm.). A length of connecting lead is provided and the same high flux 5" speaker is employed as on the Cat. No. 899 above. The weight is 3 lbs. 8 ozs. (1.59 kg.).

The following colours are available :

~~Cat. No. 688 : black ripple.~~

Cat. No. 688/B : polychromatic grey wrinkle.

~~Cat. No. 688/D : dark (Admiralty) grey enamel.~~

Cat. No. 688/E : oyster grey hammer.

J761

Printed in England

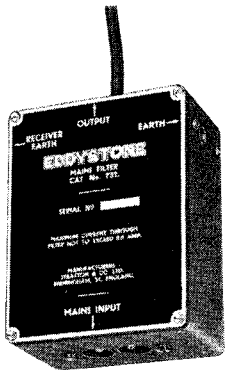
## STRATTON & CO., LTD.

EDDYSTONE WORKS : BIRMINGHAM 31 : ENGLAND  
TELEPHONE : PRIORY 2231-4                      TELEGRAMS : STRATNOID BIRMINGHAM

# EDDYSTONE

## MAINS FILTER UNIT

Cat. No. 732



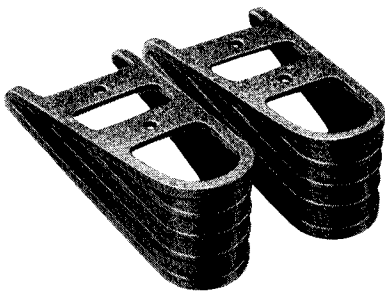
The Cat. No. 732 Filter Unit has been designed specifically for incorporation in the supply lead of a receiver to suppress mains-borne interference. The unit is extremely efficient when used with receivers operating in the range 500 kc/s to 30 Mc/s.

All necessary connecting plugs, etc., are supplied with the unit, the overall dimensions of which are as follows :

Length .. 4  $\frac{11}{16}$ " (11.9 cm.).                      Width .. 3  $\frac{11}{16}$ " (9.4 cm.).  
Depth .. 2  $\frac{1}{4}$ " (5.7 cm.).

## RECEIVER MOUNTING BLOCKS

Cat. No. 774 series.

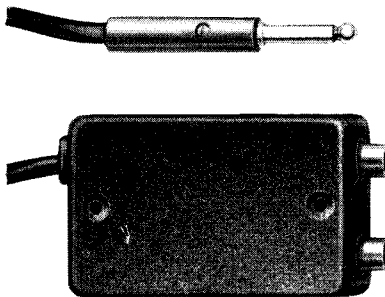


These substantially made blocks are for placing underneath a receiver, so lifting the front panel about 2  $\frac{1}{2}$ " above table level. A more convenient operating position is thus obtained and the dial scales come more in line with the eye. Provision is made on the cabinets of EDDYSTONE receivers for easy attachment of the blocks but they can also be held in place by the weight of the receiver alone. Fixing screws are supplied.

Dimensions are 6  $\frac{1}{4}$ " (15.9 cm.) long by 2  $\frac{1}{2}$ " (6.35 cm.) deep in front. Material is diecast aluminium. Cat. No. 774/B blocks are finished in polychromatic grey wrinkle and Cat. No. 774/E in oyster grey hammer.

## DUAL JACK UNIT

Cat. No. 879



It is often desirable for two operators to listen to signals coming from a single receiver, without making use of a loudspeaker. The Cat. No. 879 Unit is designed for this purpose. The telephone plug (tip and sleeve type) fits a jack of the standard type and has attached to it a length of flexible lead. Two jacks, contained in a small diecast box, are wired in series and allow the use of two pairs of telephones. The box is finished in a light grey ripple and can be mounted above or below the operating table.

Overall dimensions are 4"  $\times$  2  $\frac{1}{4}$ "  $\times$  1  $\frac{3}{8}$ " (10.1 cm.  $\times$  5.7 cm.  $\times$  3.5 cm.).

